

Check Valve/EN558 Series 48/PN16 Swing Type

MODEL: CHV-SW-H

Features

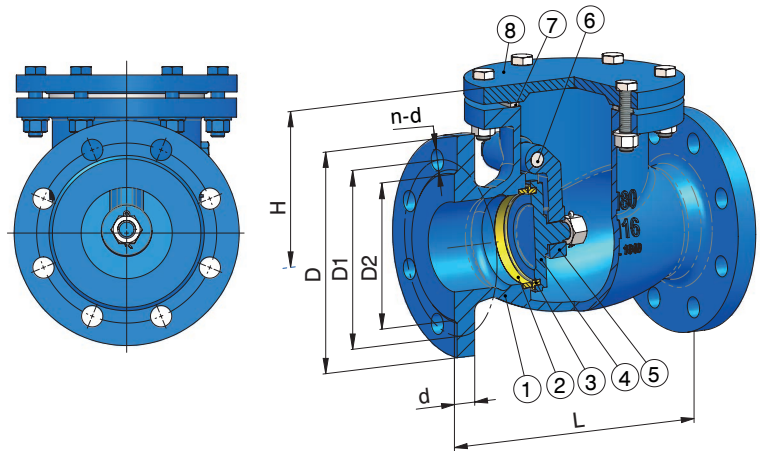
- Full port
- Bolted cover
- Suitable for both horizontal and vertical installation
- Product color: Blue RAL 5005 or RAL 5017
- Wet spray or FBE coated

Options

- External lever arm and weight

Technical Specifications

- Face to Face: EN 558 / ISO 5752 - 48 base series
- Flanges: EN 1092-2 PN10/16
- Hydraulic test to EN12266-1
Seat Test Pressure: 17.6 bar
Shell Test Pressure: 24 bar
- Nominal pressure designation PN16 bar



Material Specifications

Item	Part Name	Material	Grade	Item	Part Name	Material	Grade		
1	Body	DI	EN-JS 1050 (EN-GJS-500-7) EN 1563	4	Disc	DI	EN-JS 1050 (EN-GJS-500-7) EN 1563		
2	Seat Ring	Brass	CW602 N (CuZn36Pb2As) EN 12164	5	Hanger	DI	EN-JS 1050 (EN-GJS-500-7) EN 1563		
		Bronze	CC491K (CuZn40Pb2) EN 1982			6	Hanger Stem	Stainless Steel	1.4408 (GX5CrNiMo 19-11-2) EN10088-3-3
		Stainless steel	1.4408 (GX5CrNiMo 19-11-2) EN10088						
3	Disc Ring	Brass/Bronze	CW602 N (CuZn36Pb2As) EN 12164 / CC491K (CuZn40Pb2) EN 1982	7	Cover Gasket	Graphite With Soft Steel			
		Rubber	EPDM/NBR EN 681-1			8	Cover	DI	EN-JS 1050 (EN-GJS-500-7) EN 1563
		Stainless steel	1.4408 (GX5CrNiMo 19-11-2) EN10088						

Dimensions

Size	L	D	D1	D2	B	n-d	H	W.T (kg)
DN40	180	150	110	84	18	4-19	110	9
DN50	200	165	125	99	20	4-19	130	13.4
DN65	240	185	145	118	20	4-19	140	17.7
DN80	260	200	160	132	22	8-19	150	20.83
DN100	300	220	180	156	24	8-19	160	29.25
DN125	350	250	210	184	26	8-19	190	47
DN150	400	285	240	211	26	8-23	210	67
DN200	500	340	295	266	30	12-23	250	118.7
DN250	600	405	355	319	32	12-28	310	171.9
DN300	700	460	410	370	32	12-28	340	232.5
DN350	800	520	470	429	36	16-28	450	330
DN400	900	580	525	480	38	16-31	520	460
DN450	1000	640	585	548	40	20-31	550	580
DN500	1100	715	650	609	42	20-34	590	700
DN600	1300	840	770	720	48	20-37	680	780