

Check Valve/EN558 Series 16

Dual Plate

MODEL: CHV-DP-H

Technical Specifications

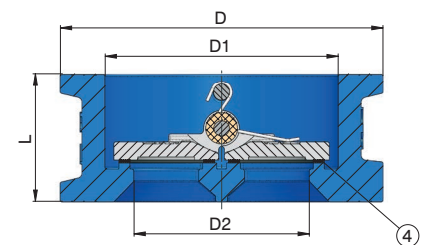
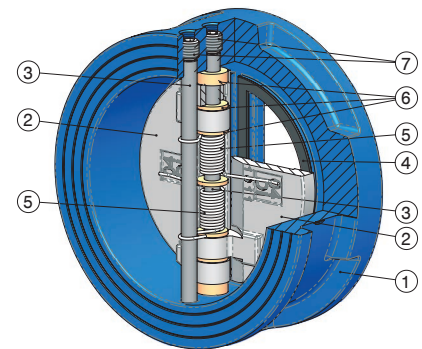
Size	DN40-DN800
Nominal pressure designation	PN10/PN16
Face to Face	EN 558 - 16 base series / ISO 5752 - 16 series
Flange Drilling	EN1092-PN10/PN16 *
Inspection and Test	EN12266-1

Product Features

- Wafer body style fits between flanges type A (flat face) or B (raised face).
- Upper and lower PTFE thrust washers
- Resilient NBR/EPDM seat..
- Dual Plate Valves give maximum strength with minimum opening time.
- Torsion springs assist valve closure, preventing flow reversal .
- Thrust washers reduce friction and wear of valve plate hinges.

Material Specifications

Parts	Description	Material	Grade
1	Body	GI	EN-JL 1040 (EN-GJL-250) EN 1561
2	Disc	DI/Stainless Steel	EN-JS 1050 (EN-GJS-500-7) EN 1563/1.4308 (GX5CrNi19-10) EN10088-3
3	Stem	Stainless Steel	1.4005 (X12CrS13) EN10088-3
4	Seat	EPDM	
5	Spring	Stainless Steel	AISI 316
6	Washer	Plastic	Nylon
7	Hex Nut	Carbon Steel	1.7225 (42CrMo4) EN 10083-3



Dimensions

SIZE		L	D		D1	D2
DN	NPS		PN10	PN16		
40	1.5"	43	78	78	57	38
50	2"	43	107	107	65	46
65	2.5"	46	127	127	80	60
80	3"	64	142	142	94	70
100	4"	64	162	162	117	88
125	5"	70	192	192	145	115
150	6"	76	218	218	170	134
200	8"	89	273	273	224	184
250	10"	114	328	328	265	220
300	12"	114	378	378	310	260
350	14"	127	438	444	360	298
400	16"	140	489	489	410	350
450	18"	152	539	555	450	385
500	20"	152	594	617	505	438
600	24"	178	695	734	624	538
700	28"	229	810	804	720	640
800	32"	241	917	911	825	734