

# Counterweight Check Valve

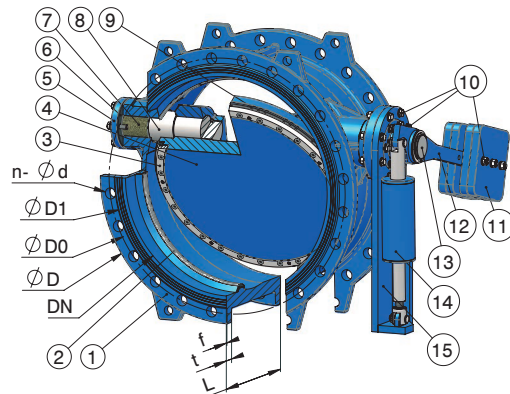
MODEL: CHV-CW(HD)-D

## Technical Specifications

- Size: DN100-DN2000
- Nominal pressure designation PN10/16
- Face to face: EN558 Series 14
- Flanges: PN10/16
- Inspection test: EN12266-1
- Product color: Blue RAL 5005 or RAL 5017
- Double eccentric design

## Optional Extras

- Hydraulic damper



## Material Specifications

Item	Part Name	Material	Grade
1	Body	DI	EN-JS 1050 ( EN-GJS-500-7 ) EN
2	Body Seat	SS	1.4301 (X5CrNi18 9) EN10088-3
3	Retaining Ring	Rubber	EPDM EN 681-1
4	Disc	DI	EN-JS 1050 ( EN-GJS-500-7 ) EN
5	Shaft Cover	DI	EN-JS 1050 ( EN-GJS-500-7 ) EN
6	Gasket	Rubber	EPDM EN 681-1
7	Bushing	PTFE	1.4021 (X20Cr13) EN10088-3
8	Shaft	SS	1.4301 (X5CrNi18 9) EN10088-3
9	Disc Seat Ring	Rubber	EPDM EN 681-1
10	Bolt	SS+PTFE	
11	Ballance Weight	GI	EN-JL 1040 (EN-GJL-250) EN 1561
12	Arm	DI	EN-JS 1050 ( EN-GJS-500-7 ) EN
13	Up Shaft	DI	EN-JS 1050 ( EN-GJS-500-7 ) EN
14	Cylinder	WCB	1.0619 (GS-C 25)/
15	Yoke	DI	EN-JS 1050 ( EN-GJS-500-7 ) EN

## Dimensions

PN10								PN16							
DN	L (F4)	∅D	∅D <sub>0</sub>	∅D <sub>1</sub>	n-∅d	t	f	DN	L (F4)	∅D	∅D <sub>0</sub>	∅D <sub>1</sub>	n-∅d	t	f
DN100	190	220	180	156	8-19	19	3	100	190	220	180	156	8-19	19	3
DN150	210	285	240	211	8-23	19	3	150	210	285	240	211	8-23	19	3
DN200	230	340	295	266	12-23	20	3	200	230	340	295	266	12-23	20	3
DN250	250	395	350	319	12-23	22	3	250	250	405	355	319	12-28	22	3
DN300	270	445	400	370	12-23	24.5	4	DN300	270	460	410	370	12-28	24.5	4
DN350	290	505	460	429	16-23	24.5	4	DN350	290	520	470	429	16-28	26.5	4
DN400	310	565	515	480	16-28	24.5	4	DN400	310	580	525	480	16-31	28	4
DN500	350	670	620	582	20-28	26.5	4	DN500	350	715	650	609	20-34	31.5	4
DN600	390	780	725	682	20-31	30	5	DN600	390	840	770	720	20-37	36	5
DN700	430	895	840	794	24-31	32.5	5	DN700	430	910	840	794	24-37	39.5	5
DN800	470	1015	950	901	24-34	35	5	DN800	470	1025	950	901	24-40	43	5
DN900	510	1115	1050	1001	28-34	37.5	5	DN900	510	1125	1050	1001	28-40	46.5	5
DN1000	550	1230	1160	1112	28-37	40	5	DN1000	550	1255	1170	1112	28-43	50	5
DN1200	630	1455	1380	1328	32-41	45	5	DN1200	630	1485	1390	1328	32-49	57	5
DN1400	710	1675	1590	1530	36-44	46	5	DN1400	710	1685	1590	1530	36-49	60	5
DN1600	790	1915	1820	1750	40-50	49	5	DN1600	790	1930	1820	1750	40-56	65	5
DN1800	870	2115	2020	1950	44-50	52	5	DN1800	870	2130	2020	1950	44-56	70	5
DN2000	950	2325	2230	2150	48-50	55	5	DN2000	950	2345	2230	2150	48-62	75	5