

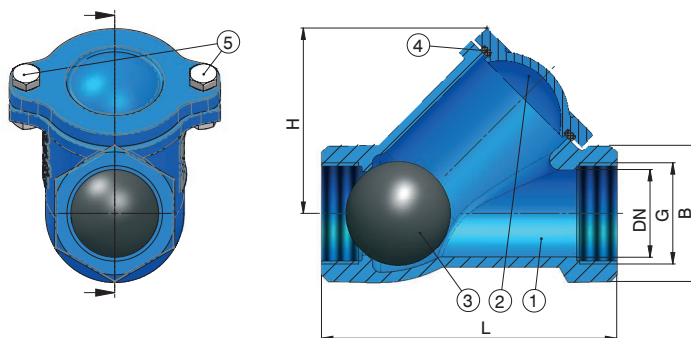
Ball Check Valves

MODEL: CHV-BL-H

Material Specifications

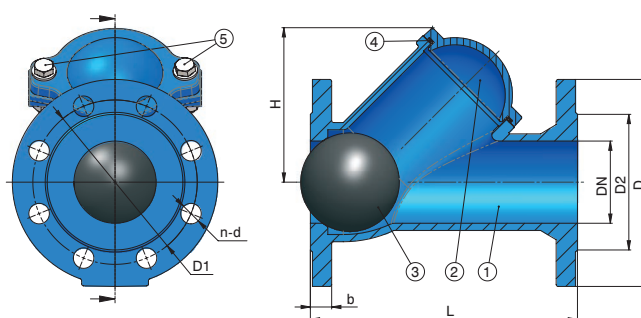
Item	Part Name	Material	Grade	Item	Part Name	Material	Grade
1	Body	DI	EN-JS 1050 (EN-GJS-500-7) EN 1563	4	Bonnet Gasket	Rubber	NBR/EPDM EN 681-1
2	Bonnet	DI	EN-JS 1050 (EN-GJS-500-7) EN 1563	5	Bolts	Stainless Steel	1.4301 (X5CrNi18-10) EN10088-3-3
3	Ball	Steel+Rubber	Steel + EPDM EN 681-1 Steel + NBR EN 681-1				

Check Valve/BSP threaded connection Ball Type Dimensions Threaded



Size	L	B	H	Weight
DN32	135	50	72	2
DN40	145	60	85	2
DN50	175	70	100	3
DN65	200	90	125	5

Check Valve/EN558 Series 48 Ball Type Dimensions Flanged



Size	EN 1092-2 PN16					b	H	Weight
	L	D	D1	D2	n-d			
DN50	200	165	125	102	4-18	20	100	6.5
DN65	240	185	145	122	4-18	20	125	11
DN80	260	200	160	138	8-18	22	136	14.35
DN100	300	220	180	158	8-18	24	185	19.98
DN125	350	250	210	188	8-18	26	196	30.4
DN150	400	285	240	212	8-22	26	265	42.3
DN200	500	340	295	268	12-22	30	340	73.5
DN250	600	405	355	320	12-26	32	420	128
DN300	700	460	410	378	12-26	32	480	180