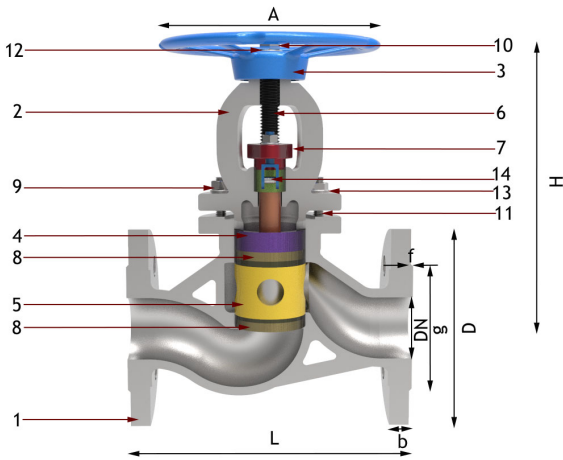


## FLANGES PISTON VALVE (DN15-DN50)

### RPB SERIE

FLUID : water, hot water, high temperature hot water, steam, saturated steam water, thermal oil, LPG, fuel oil, pressurized air etc...



Material type	Cast iron	Ductile iron	Cast Steel	Stainless Steel
Size	DN15-DN50	DN15-DN50	DN15-DN50	DN15-DN50
Pressure class	PN16	PN25	PN40	PN40
Dimension	DIN EN 558 Serie 1			
Assembly	Flanges DIN EN 1092-2			
Temperature	-10°C à +300°C	-10°C à +350°C	-10°C * à +400°C	-29°C * à +400°C

DN	L	H	A	D	g	Holes Nr	k	PN16			PN25			PN40		
								b	f	l	b	f	l	b	f	l
15 (1/2")	130	105	100	95	45	4	65	14	2	14	16	2	14	16	2	14
20 (3/4")	150	120	120	105	58	4	75	16	2	14	18	2	14	18	2	14
25 (1")	160	138	140	115	68	4	85	16	2	14	18	3	14	18	2	14
32 (1-1/4")	180	154	160	140	78	4	100	18	2	19	18	3	19	18	2	18
40 (1-1/2")	200	186	180	150	88	4	110	18	3	19	18	3	19	18	2	18
50 (2")	230	211	200	165	102	4	125	20	3	19	20	3	19	20	2	18

N°		Cast iron	Ductile iron	Cast steel	Stainless steel
1	Body	GJL 250	0.7040	1.0619	1.4408
2	Upper bonnet	GJL 250	0.7040 ***	1.0619 ***	1.4408
3	Hand-wheel	GJL 200	GJL 200	GJL 200	GJL 200
4	Piston	1.4021	1.4021	1.4021	1.4401
5	Lantern bush	GJL 200+phosphate	GJL 200+phosphate	GJL 200+phosphate	1.4408 **
6	Valve spindle	1.4021/St-42	1.4021/St-42	1.4021/St-42	1.4401
7	Double piece nut	Ms-58	Ms-58	Ms-58	1.4401
8	Valve ring	Graphite			
9	Nut	8.8+Galva	8.8+Galva	8.8+Galva	A2-70
10	Nut	8.8+Galva	8.8+Galva	8.8+Galva	A2-70
11	Stud	8.8+Galva	8.8+Galva	8.8+Galva	A2-70
12	Lock washer	8.8+Galva	8.8+Galva	8.8+Galva	8.8+Galva
13	Belleville washer	50CrV4	50CrV4	50CrV4	50CrV4
14	Piston washer	Ms-58	Ms-58	Ms-58	1.4301

\* Temperature below -10°C, stud and nut material should be in stainless steel - \*\* 1.4401 for DN15 et DN20 - \*\*\*Ck22 for DN15 and DN20