

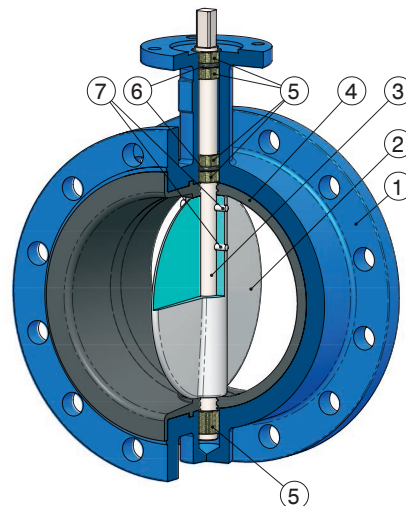
Butterfly Valve/EN558 Series 13

Concentric, Double Flanged

MODEL: BFV-DFC-H

Technical Specifications

Size	DN50-DN1200
General Design	EN593
Flange Drilling	EN 1092 PN10/16
Mounting Pad	ISO 5211
Face to Face	BS 5155; EN 558 13 series etc.
Inspection and Test	EN12266-1
Nominal pressure designation	PN10/16



Product Features

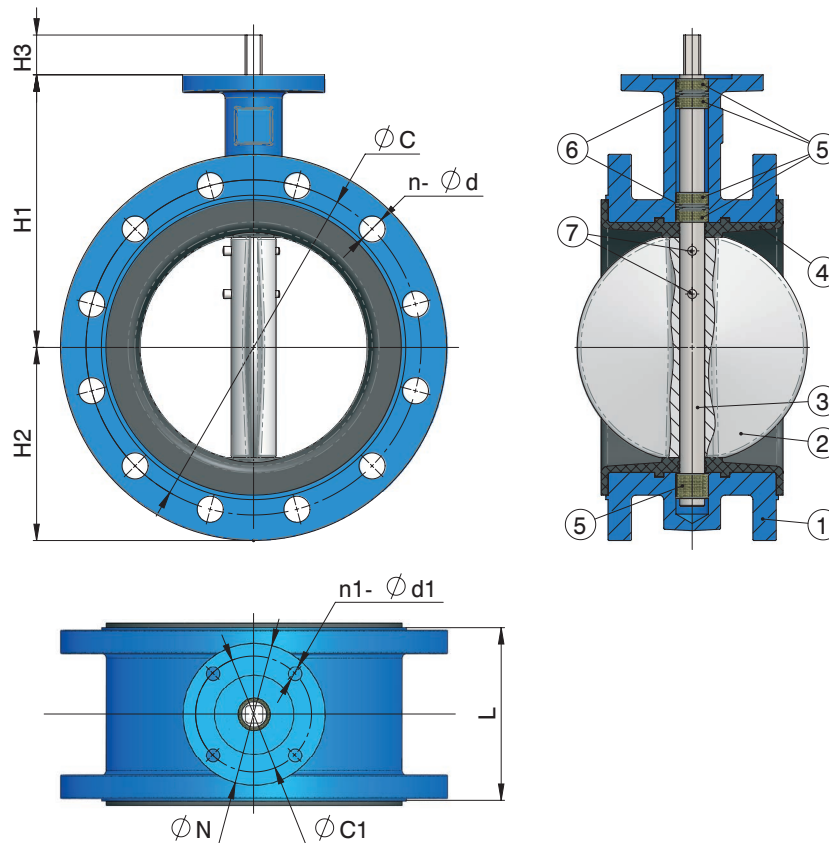
- Double flanged style fit between FF or RF flanges
- High strength body and large safety factor ensure the body can resist high pipe pressure.
- Overall Vulcanization liner with good performance of resisting tearing apart and deformation
- Universal ISO 5211 mounting Pad

Material Specifications

Item	Part Name	Material	Grade
1	Body	DI	EN-JS 1050 (EN-GLS-500-7) EN1563
2	Disc	DI	EN-JS 1050 (EN-GLS-500-7) EN1563
3	Stem	Stainless Steel	1.4006 (X12Cr13) EN10088-3
4	Seat	Rubber	EPDM EN 681-1
5	Bushing	Plastic	PTFE ISO 13000
6	O Ring	Rubber	EPDM EN 681-1
7	Pin	Stainless Steel	1.4408 (GX5CrNiMo19-11-2) EN10088-3

Wato Products specifications in this catalogues are provided for reference only. For precise measurements, please contact Wato Technical Service, Wato reserve the right to change or modify product design, construction, specifications, or materials without prior notice and without incurring any obligation to make such changes and modifications on Wato products previously or subsequently sold.

MODEL: BFV-DFC-H



Dimensions

Size		L	H1	H2	H3	ISO5211			EN 1092 PN10		ØZ	ØF	H	
DN	NPS					No.	ØN	ØC1	n1-Ød1	ØC				n-Ød
50	2"	108	120	80	29	F05	65	50	4-Ø8	125	4-Ø18	13	12.1	9
65	2-1/2"	112	145	75	29	F05	65	50	4-Ø8	145	4-Ø18	13	12.1	9
80	3"	114	130	90	29	F05	65	50	4-Ø8	160	8-Ø18	13	12.1	9
100	4"	127	165	115	29	F07	90	70	4-Ø10	180	8-Ø18	16	14.1	11
125	5"	140	180	110	29	F07	90	70	4-Ø10	210	8-Ø18	19	18.1	14
150	6"	140	190	150	29	F07	90	70	4-Ø10	240	8-Ø22	19	18.1	14
200	8"	152	240	160	35	F10	125	102	4-Ø12	295	8-Ø22	22	22.2	17
250	10"	165	260	195	35	F10	125	102	4-Ø12	350	12-Ø22	29	28.2	22
300	12"	178	300	220	35	F10	125	102	4-Ø12	400	12-Ø22	32	28.2	22
350	14"	190	330	245	45	F14	175	140	4-Ø18	460	16-Ø22	32	28.2	22
400	16"	216	370	267	51	F14	175	140	4-Ø18	515	16-Ø26	33	28.2	22
450	18"	222	400	300	51	F14	175	140	4-Ø18	565	20-Ø26	38	36.2	27
500	20"	229	500	390	64	F14	175	140	4-Ø18	620	20-Ø26	41	36.2	27
600	24"	267	525	425	70	F16	210	165	4-Ø22	725	20-Ø30	51	48.2	36
700	28"	292	570	480	66	F25	300	254	8-Ø18	840	24-Ø30	55	60.2	46
800	32"	318	630	575	66	F25	300	254	8-Ø18	950	24-Ø33	55	60.2	46
900	36"	330	690	560	118	F25	300	254	8-Ø18	1050	28-Ø33	75	72.2	55
1000	40"	410	745	637	142	F25	300	254	8-Ø18	1160	28-Ø36	85	72.2	55
1200	48"	470	925	775	160	F30	350	298	8-Ø22	1380	32-Ø39	105	98.2	75