

Butterfly Valve/EN558 Series 14

Double Eccentric

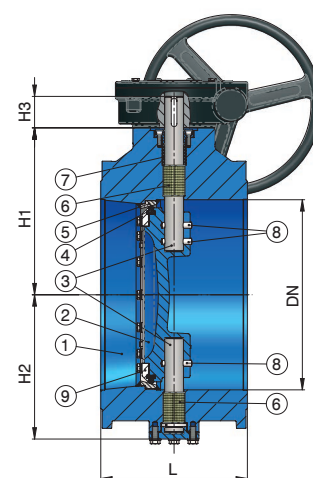
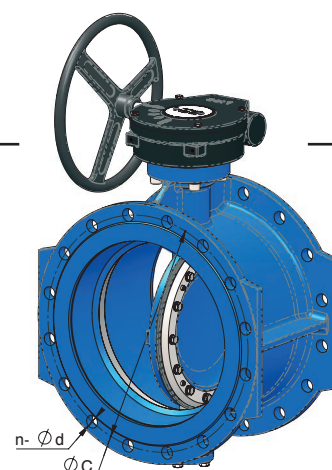
MODEL: BFV-DFDE-H

Technical Specifications

Size	DN100-DN2000
General Design	EN593
Mounting Pad	ISO5211
Face to Face	EN558-1 14 Series
Flange Drilling	EN1092-2PN10/PN16/PN25*
Nominal pressure designation	PN10/16

Material of Construction

Item	Part Name	Material	Grade
1	Body	DI	EN-GJS-400-15 (EN-JS 1030) EN 1563
2	Disc	DI	EN-GJS-400-15 (EN-JS 1030) EN 1563
3	Stem	Stainless Steel	1.4006 (X12Cr13) EN10088-3
4	Disc Sealing	Rubber	EPDM EN 681-1
5	Body Sealing	Stainless Steel	1.4301 (X5CrNi189) EN10088-3
6	Bushing	PTFE+Non-ferrous metal	PTFE ISO 13000+non ferrous metal
7	Packing	Rubber	EPDM EN 681-1
8	Pin	Stainless Steel	1.4021 (X20Cr13) EN10088-3
9	Retaining Ring	Stainless Steel	1.4301 (X5CrNi18-9) EN10088-3



Dimensions

SIZE		L	H1	H2	H3	EN1092-2 PN10			EN1092-2 PN16			EN1092-2 PN25		
DN	NPS					ØD	ØC	n-Ød	ØD	ØC	n-Ød	ØD	ØC	n-Ød
100	4"	190	140	115	38	220	180	8-19	220	180	8-19	235	190	8-23
125	5"	200	150	130	38	250	210	8-19	250	210	8-19	270	220	8-28
150	6"	210	160	150	38	285	240	8-23	285	240	8-23	300	250	8-28
200	8"	230	200	187	42	340	295	8-23	340	295	12-23	360	310	12-28
250	10"	250	235	215	42	395	350	12-23	405	355	12-28	425	370	12-31
300	12"	270	264	237	42	445	400	12-23	460	410	12-28	485	430	16-31
350	14"	290	300	270	51	505	460	16-23	520	470	16-28	555	490	16-34
400	16"	310	335	305	51	565	515	16-28	580	525	16-31	620	550	16-37
450	18"	330	360	335	51	615	565	20-28	640	585	20-31	670	600	20-37
500	20"	350	395	370	136	670	620	20-28	715	650	20-34	730	660	20-37
600	24"	390	460	425	136	780	725	20-31	840	770	20-37	845	770	20-41
700	28"	430	535	505	149	895	840	24-31	910	840	24-37	960	875	24-44
800	32"	470	590	560	149	1015	950	24-34	1025	950	24-41	1085	990	24-50
900	36"	510	660	630	185	1115	1050	28-34	1125	1050	28-41	1185	1090	28-50
1000	40"	550	735	705	216	1230	1160	28-37	1255	1170	28-44	1320	1210	28-57
1200	48"	630	840	815	216	1455	1380	32-41	1485	1390	32-50	1530	1420	32-57
1400	56"	710	1010	985	267	1675	1590	36-44	1685	1590	36-50	/	/	/
1600	64"	790	1130	1120	312	1915	1820	40-50	1930	1820	40-57	/	/	/
1800	72"	870	1280	1270	312	2115	2020	44-50	/	/	/	/	/	/
2000	80"	950	1405	1380	326	2325	2230	48-50	/	/	/	/	/	/

ISO5211 Mounting Pad

Dimensions

DN	Size	ØD	ØD2	ØD1	Ø d	N	h	a
F05	DN40	65	35.5	50	8	4	3.5	45
F05	DN50	65	35.5	50	8	4	3.5	45
F05	DN65	65	35.5	50	8	4	3.5	45
F05	DN80	65	35.5	50	8	4	3.5	45
F07	DN100	90	55.5	70	10	4	3.5	45
F07	DN125	90	55.5	70	10	4	3.5	45
F07	DN150	90	55.5	70	10	4	3.5	45
F10	DN200	125	70.5	102	12	4	3.5	45
F10	DN250	125	70.5	102	12	4	3.5	45
F10	DN300	125	70.5	102	12	4	3.5	45
F10	DN350	125	70.5	102	12	4	3.5	45
F14	DN400	175	100.5	140	18	4	4.5	45
F14	DN450	175	100.5	140	18	4	4.5	45
F14	DN500	175	100.5	140	18	4	4.5	45
F16	DN550	210	130.5	165	22	4	5.5	45
F16	DN600	210	130.5	165	22	4	5.5	45
F25	DN700	300	200.5	254	18	8	5.5	22.5
F25	DN750	300	200.5	254	18	8	5.5	22.5
F25	DN800	300	200.5	254	18	8	5.5	22.5
F25	DN900	300	200.5	254	18	8	5.5	22.5
F25	DN1000	300	200.5	254	18	8	5.5	22.5
F30	DN1200	350	230.5	298	22	8	5.5	22.5